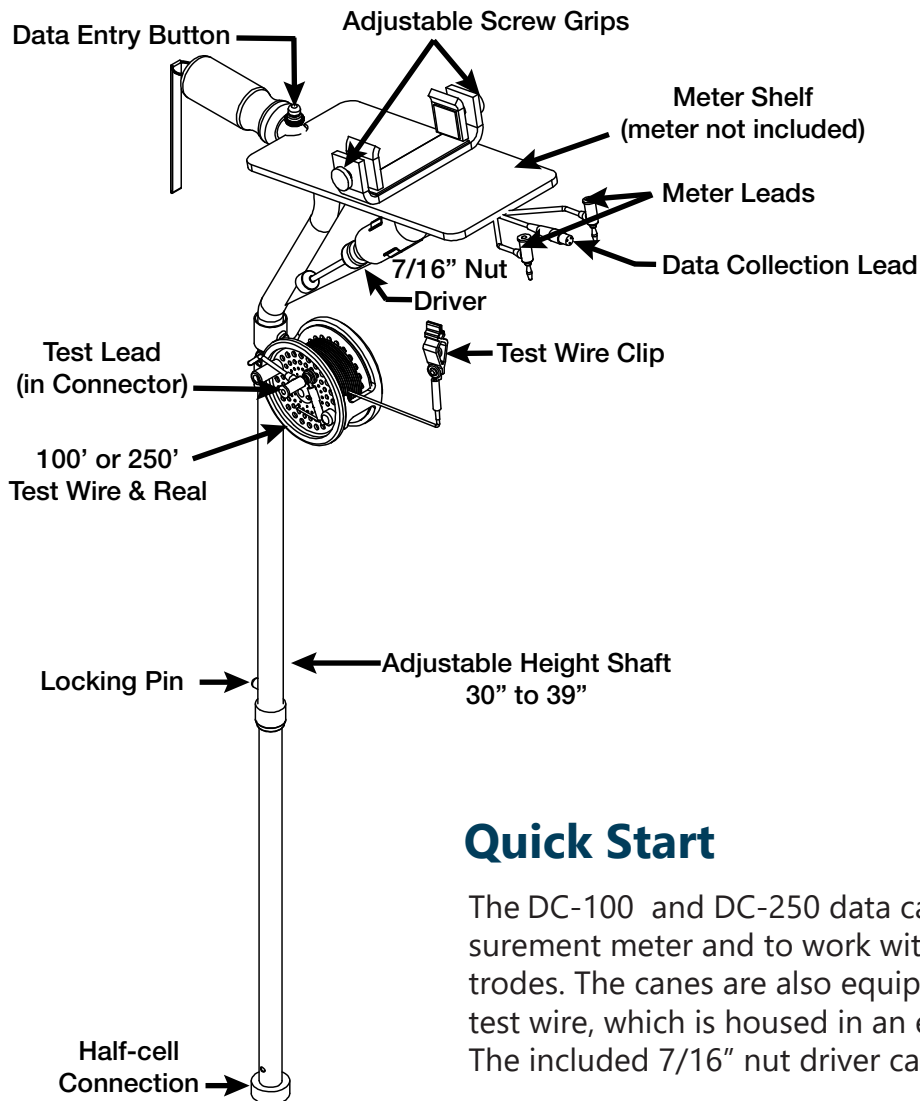
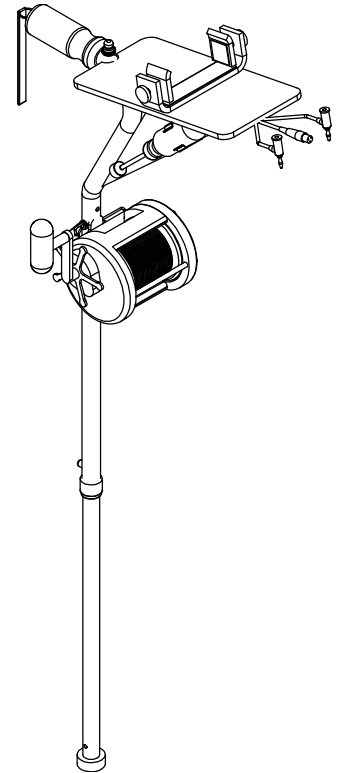


DC-100



DC-250



Quick Start

The DC-100 and DC-250 data canes are designed to carry a measurement meter and to work with most half-cell reference electrodes. The canes are also equipped with either 100 or 250 feet of test wire, which is housed in an easy-to-dispense and rewind reel. The included 7/16" nut driver can be used to adjust rectifier lugs.

Complete the following steps to set up the DC-100 or DC-250:

- 1 Center the meter on the test cane's **meter shelf** and secure with the **adjustable screw grips**.
- 2 Plug the **meter leads** into your meter. The grey **data collection lead** connects to the meter's remote trigger port. The black lead (-) connects to the half-cell connection at the base of the test cane. The red lead (+) connects to the test wire.
- 3 Connect your half-cell reference electrode into the **half-cell connection** at the base of the test cane.
- 4 Unclip the **test wire clip** from the meter tray and clip it to the measurement post at the test stations or bonds or the structure being tested.

NOTE: For *DC-100 only* - disconnect the **test lead** from the **test wire reel** when spooling out the test wire. Then, re-connect the **test lead** to the **connector** on the **test wire reel** when ready to take measurements. Before rewinding the test wire, remove the **test lead** from the **connector**.

Specifications

Dimensions:	Adjustable from 30" - 39"
Weight:	4 lbs
Material:	Aluminum cane and mountings
Wire:	100' (min) or 250' (min) #22 awg with 0.015" (min) awg PVC coated (red)
Mount:	Mounting bracket with adjustable screw grips
Electrode:	1/4 - 20 female threaded connection compatible with any half-cell reference electrode
Set up:	Fully wired; ready for use
Connections:	Half-cell and meter leads 16-gauge awg wire
Tool:	7/16" nut driver, mounted on cane



12211 Technology Blvd.
Austin, TX 78727
800-229-3404
aiworldwide.com